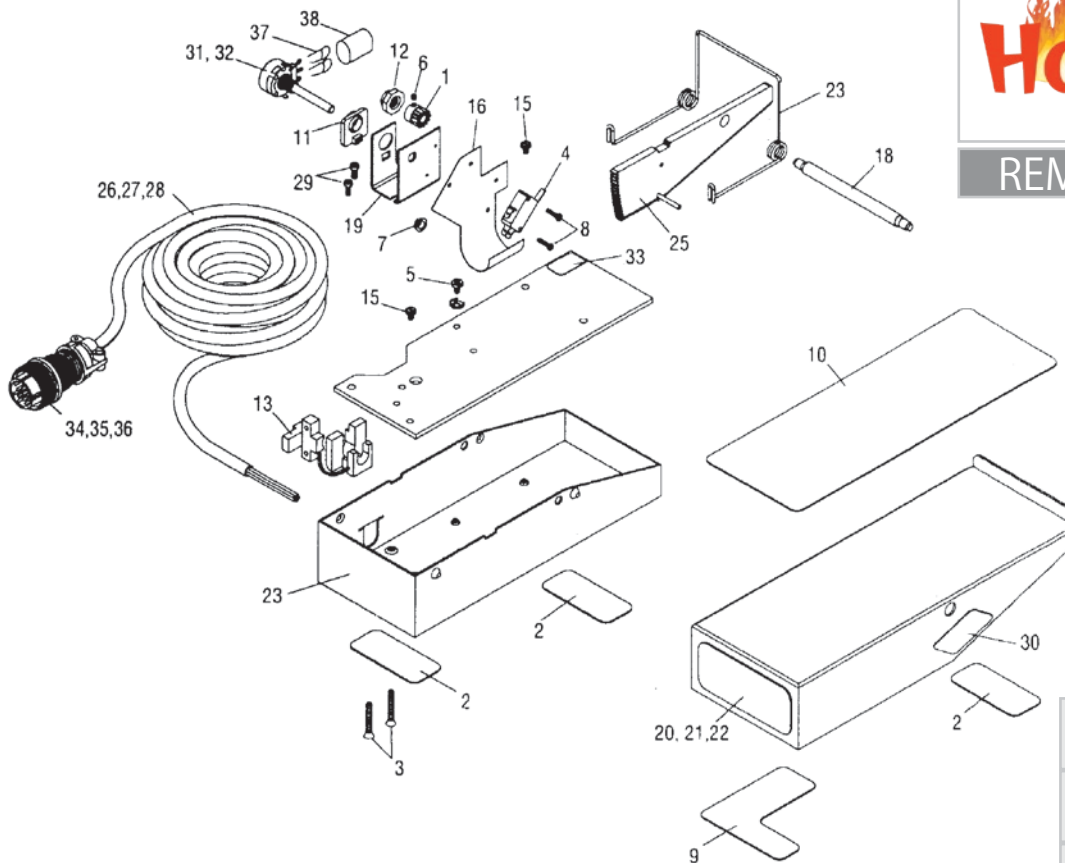




## REMOTE CONTROL



**A-LFC-870:** LINCOLN ELECTRIC

**A-MFC-14:** Miller

**A-EFC-14:** ESAB

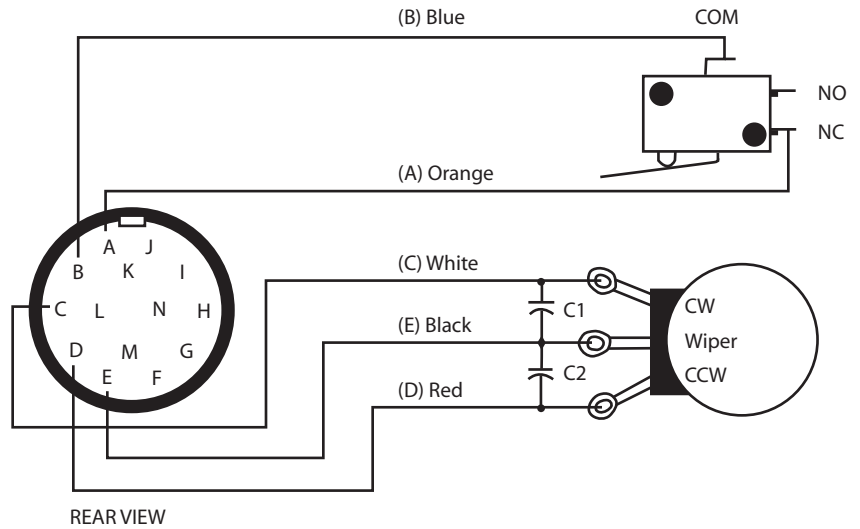
NO.	P/N	DESCRIPTION	MFC-14	LFC-870	EFC-14	NO.	P/N	DESCRIPTION	MFC-14	LFC-870	EFC-14
1	9340	Pinion gear	1	1	1	20	9359	Arc-Zone Logo	1		
2	9341	Rubber base pad	3	3	3	21	9360	Arc-Zone Logo		1	
3	9342	#8-10 x 1.250 Screw	2	2	2	22	9353	Arc-Zone Logo			1
4	9343	Micro switch	1	1	1	23	9361	Spring	1	1	1
5	9344	#8-32 x .281 Screw	1	1	1	24	9362	Base	1	1	1
6	9345	#6-32 x .1875 Screw	1	1	1	25	9363	Spur gear level	1	1	1
7	9346	Nylon bearing	1	1	1	26	9364	25' cord set with 14 pin plug	1		
8	9347	#4-40 x .500 Screw	2	2	2	27	9365	25' cord set with 6 pin plug		1	
9	9348	Rubber bumper pad	1	1	1	28	9354	25' cord set with 14 pin plug			1
10	9349	Rubber foot pad	1	1	1	29	9366	#8-32 x .375 Screw	2	2	2
11	9350	Mount bracket	1	1	1	30	9367	Warning Label	1	1	1
12	9351	Spacer nut	1	1	1	31	9368	Potentiometer 10K, 1T, 2W		1	1
13	9352	Cable clamp	1	1	1	32	9369	Potentiometer 1K, 1T, 2W	1		
14	9353	Top cover	1	1	1	33	9370	Warning Label	1	1	1
15	9354	#8-32 x .250 Screw	2	2	2	34	9317	Miller® 14 pin plug only	1		
16	9355	Insulation	1	1	1	35	9319	Lincoln® 6 pin plug only		1	
17	9356	Inner plate	1	1	1	36	512020-32	ESAB® 14 pin plug only			1
18	9357	Pivot rod assembly	1	1	1	37	9371	Capacitor 4700VF,3KV	2	2	2
19	9358	Potentiometer bracket	1	1	1	38	9372	1-5/16 x 1-3/4 Heat shrink tubing	1	1	1



**Arc-Zone.com, Inc.**  
 2091 Las Palmas Drive Ste. F  
 Carlsbad, CA 92011-1551  
 Tel. 1.760.931.1500/1.800.944.2243  
 Fax. 1.760.931.1504 Email: info@arc-zone.com

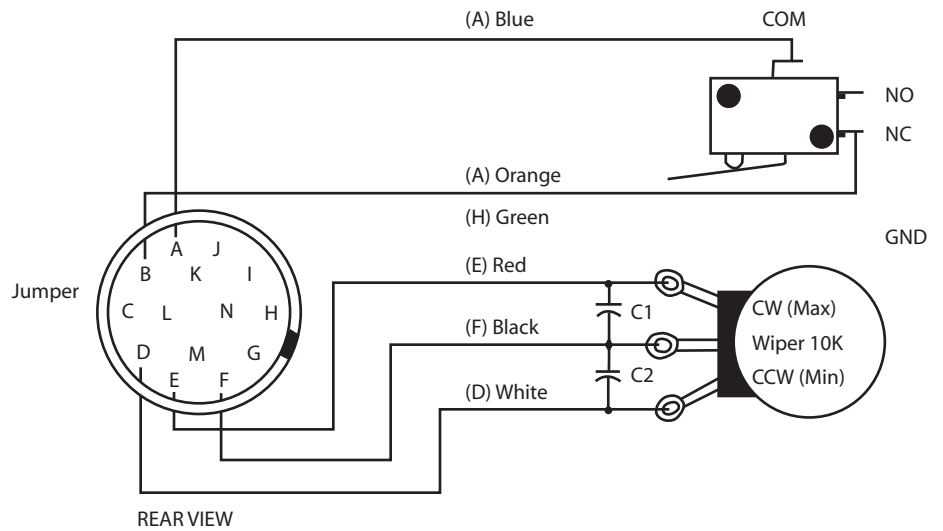
# MFC-14

## WIRING DIAGRAM



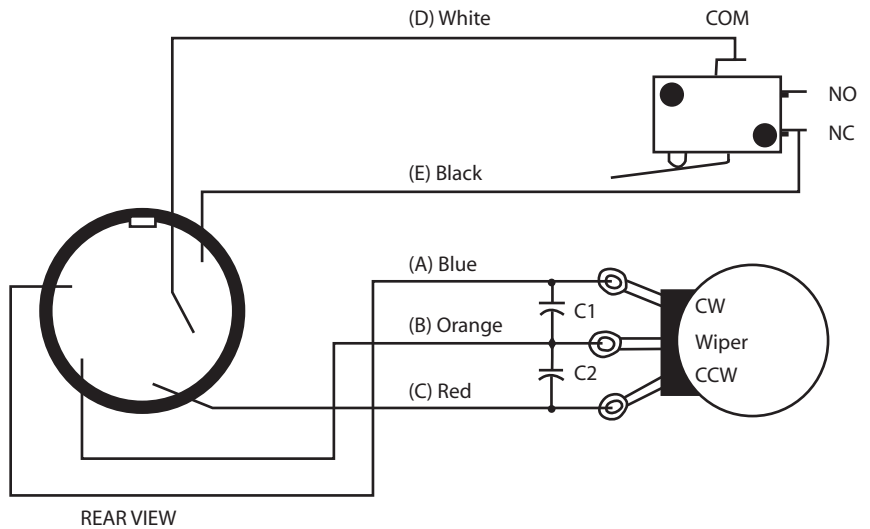
# EFC-14

## WIRING DIAGRAM



# LFC-14

## WIRING DIAGRAM



**Arc-Zone.com, Inc.**  
 2091 Las Palmas Drive Ste. F  
 Carlsbad, CA 92011-1551  
 Tel. 1.760.931.1500/1.800.944.2243  
 Fax. 1.760.931.1504 Email: info@arc-zone.com